

CONDUCTIVITY ANALYZER/TRANSMITTER

Model: WD-36D

FEATURES

- Conductivity analyser/transmitter with digital display
- Cell constant adjustment function providing simple adjustment after sensor replacement. This function can also be used for determining transmitter quality.
- Sturdy cast aluminium alloy casing of rainproof construction.
- Suitable for field installation by using a 50A pipe mounting bracket (which can be affixed to the right or left side of the instrument).

STANDARD SPECIFICATIONS

Product Name : Conductivity analyser/transmitter
Model : WD-36D
Measurement Object : General water
Measurement Range

Cell constant	0.01cm ⁻¹	0.1cm ⁻¹	1cm ⁻¹	10cm ⁻¹
Measurement range*	0~ 2	0~ 20	0~ 200	0~ 2
	0~ 5	0~ 50	0~ 500	0~ 5
	0~10	0~100	0~1000	0~10
Resolution	0.01	0.1	1	0.01
Unit	μS/cm	μS/cm	μS/cm	mS/cm

*Measured value is standardized at 25°C

Specify one range out of the above table.

Indication : Digital LCD display

Characteristics (exclusive of sensor)

Linearity : Within±1%FS

Repeatability : Within±1%FS

Temperature Compensation

Temperature range : 0~55, 25~85, 55~120°C

Specify one of the above

Temp characteristics : Conductivity versus temperature characteristics of NaCl solution.

Accuracy : Within±2%FS (exclusive of sensor)

Ambient Conditions

Temperature : -10~55°C

Humidity : 95%RH or less

Output

: Isolated from input, 4~20mV DC (max. load 600Ω)

Power Requirements

: 100VAC, 50/60Hz (other operating voltages available as options)

Power Consumption

: Approx. 5VA

Construction

: Field installation, rainproof (JISC-0920)

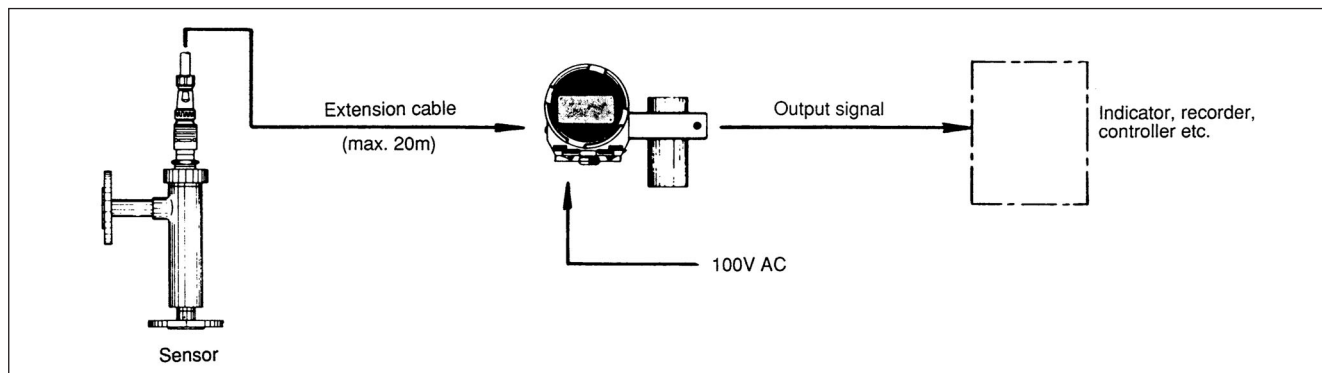


Mounting : 50A pole mount
Paint Colour : Metallic silver and blue
Related Equipment
 Extension cable : EC 1 (max. 20m)
 Sensor : Type A, WS etc.

OPTIONAL ACCESSORIES

• **Alarm Unit**
Model : KU-30
Input : 4~20mA DC
Output : 4~20mA DC, isolated from ground (not isolated from input)
Internal Resistance : 50Ω
Alarms
 Number of points : Two, high and low limits
 Setting : 0~100% by vernier dial with setting accuracy within ±2%FS
 Contact rating : 125V AC, 2A or less (resistive load)
 Sensitivity : Within ±2%FS
Power Requirements : 100V AC ±10%, 50/60Hz
Construction : Field installation, rainproof
Mounting : 50A pole mount
Ambient Temperature : -10~55°C
Power Indicator : LED, peep window on the cover

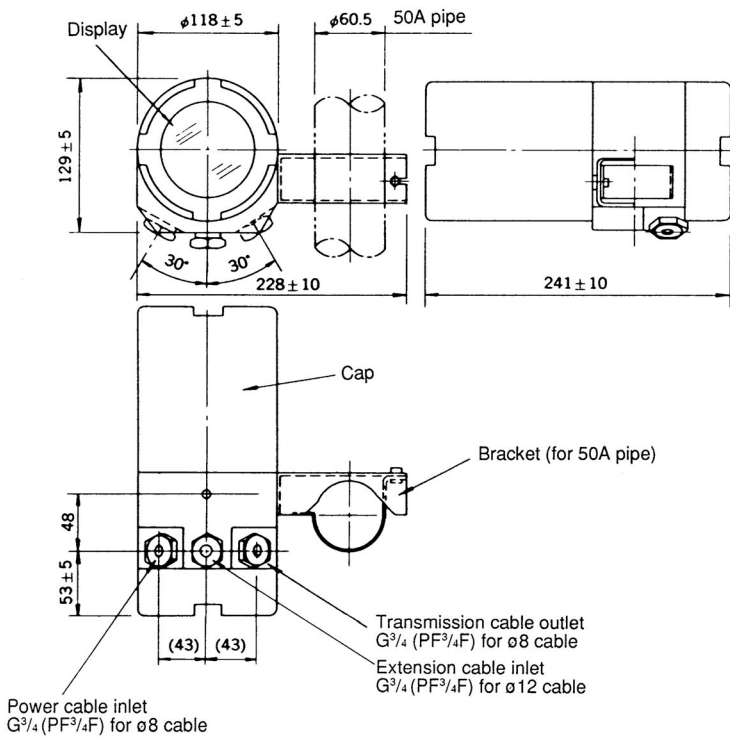
SYSTEM CONFIGURATION



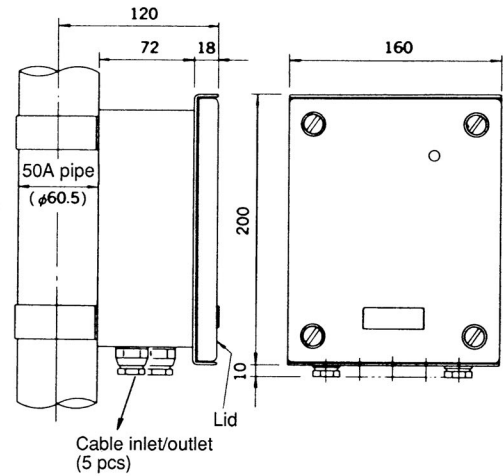
DIMENSIONS

Unit: mm

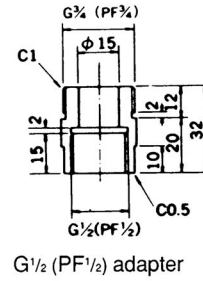
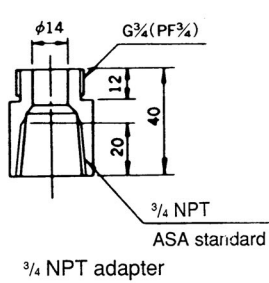
● **WD-36D**



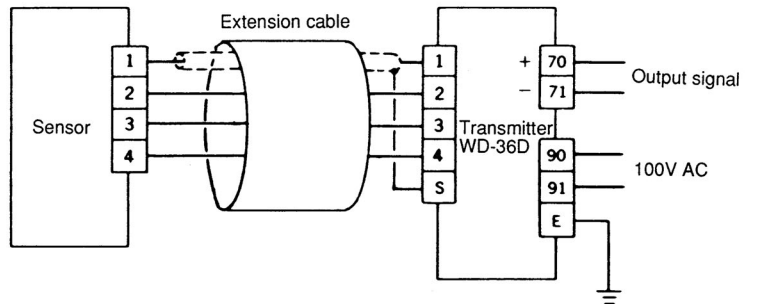
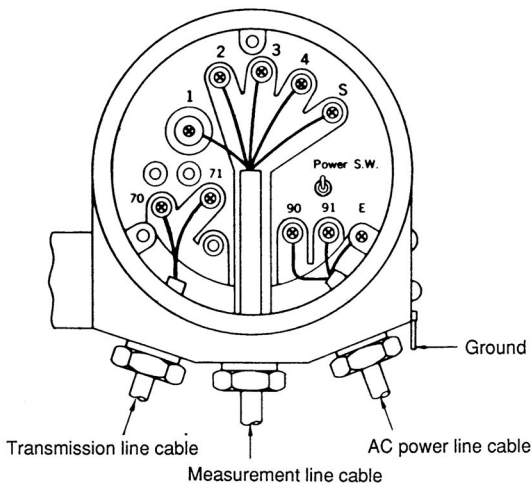
● **KU-30 current alarm unit**



● **Connection to conduit (Optional)**



TERMINAL CONNECTIONS



PRODUCT CODE

WD-36D

WD36D-1									
									Power source
1									100V AC 50/60Hz
2									110V AC 50/60Hz
3									115V AC 50/60Hz
4									120V AC 50/60Hz
5									200V AC 50/60Hz
6									220V AC 50/60Hz
7									230V AC 50/60Hz
8									240V AC 50/60Hz
9									Custom spec.
									Output signal
1									4 ~ 20mA DC (Standard)
2									0 ~ 10mV DC
3									1 ~ 5V DC
9									Custom spec.
									Measurement range *1
A									0 ~ 2 μS/cm at 25°C NaCl
B									0 ~ 5 μS/cm at 25°C NaCl
C									0 ~ 10 μS/cm at 25°C NaCl
D									0 ~ 20 μS/cm at 25°C NaCl
E									0 ~ 50 μS/cm at 25°C NaCl
F									0 ~ 100 μS/cm at 25°C NaCl
G									0 ~ 200 μS/cm at 25°C NaCl
H									0 ~ 500 μS/cm at 25°C NaCl
J									0 ~ 1.000 μS/cm at 25°C NaCl
K									0 ~ 2 mS/cm at 25°C NaCl
L									0 ~ 5 mS/cm at 25°C NaCl
M									0 ~ 10 mS/cm at 25°C NaCl
Z									Custom spec. *2
									Temperature compensation range
1									0 ~ 55°C
2									25 ~ 85°C
3									55 ~ 120°C
9									Custom spec.
									Hood
0									Nil
1									Equipped
9									Equipped, custom spec.
									Assembling with cable port adapter
0									Nil G ³ / ₄ (PF ³ / ₄) (Standard)
1									G ¹ / ₂ (PF ¹ / ₂) SUS304
2									NPT ¹ / ₂ SUS304
3									NPT ³ / ₄ SUS304
9									Custom spec.
									Dedicated cable port packing
A									For 12mm cable
B									For 8mm cable (exclusively for WS-641)
Z									Custom spec.
									Combined cable length
1									5m or less
2									6m ~ 10m
3									11m ~ 15m
4									16m ~ 20m
9									Custom spec.
									Markings
0									Standard
1									English
9									Custom spec.
									Combined sensor
0									Manufactured together with instrument.
1									Nil

*1 Instruments with measurement ranges less than 0 ~ 2 μS/cm are not available.

*2 When measurement units other than "μS/cm at 25°C NaCl" or an alternative temperature compensation coefficient is required, select "Z" for this digit of code.

[Due to continuous product development and improvement, our product codes are subject to change. Please confirm product code with our authorized agents or our International Sales Department prior to order placement.]

DKK-TOA CORPORATION

International Operations:

DKK-TOA Corporation
29-10, 1-Chome, Takadanobaba, Shinjuku-ku, Tokyo 169-8648 Japan
Tel: +81-3-3202-0225 Fax: +81-3-3202-5685

Representative Office (Europe):

DKK-TOA European Representative
St. Johns Innovation Centre, Cowley Rd., Cambridge CB4 0WS UK.
Tel : +44 (0)1223-526471 Fax : +44 (0)1223-709239



CAUTION

Do not operate products before consulting instruction manual.

<http://www.toadkk.co.jp>

Information and specifications are for a typical system and are subject to change without notice.